



HDMI Transmitter Port Protection and Interface Device

CM2020-00TR

Features

- HDMI 1.3 compliant
- 0.05pF matching capacitance between the TMDS intra-pair
- Overcurrent output protection
- Level shifting/isolation circuitry
- Provides ESD protection to IEC61000-4-2 Level 4
 - 8kV contact discharge
 - 15kV air discharge
- Matched 0.5mm trace spacing (TSSOP)
- Simplified layout for HDMI connectors
- Backdrive protection
- RoHS-compliant, lead-free packaging

Applications

- PC
- Consumer Electronics
- Set Top Box
- DVDRW Players

Product Description

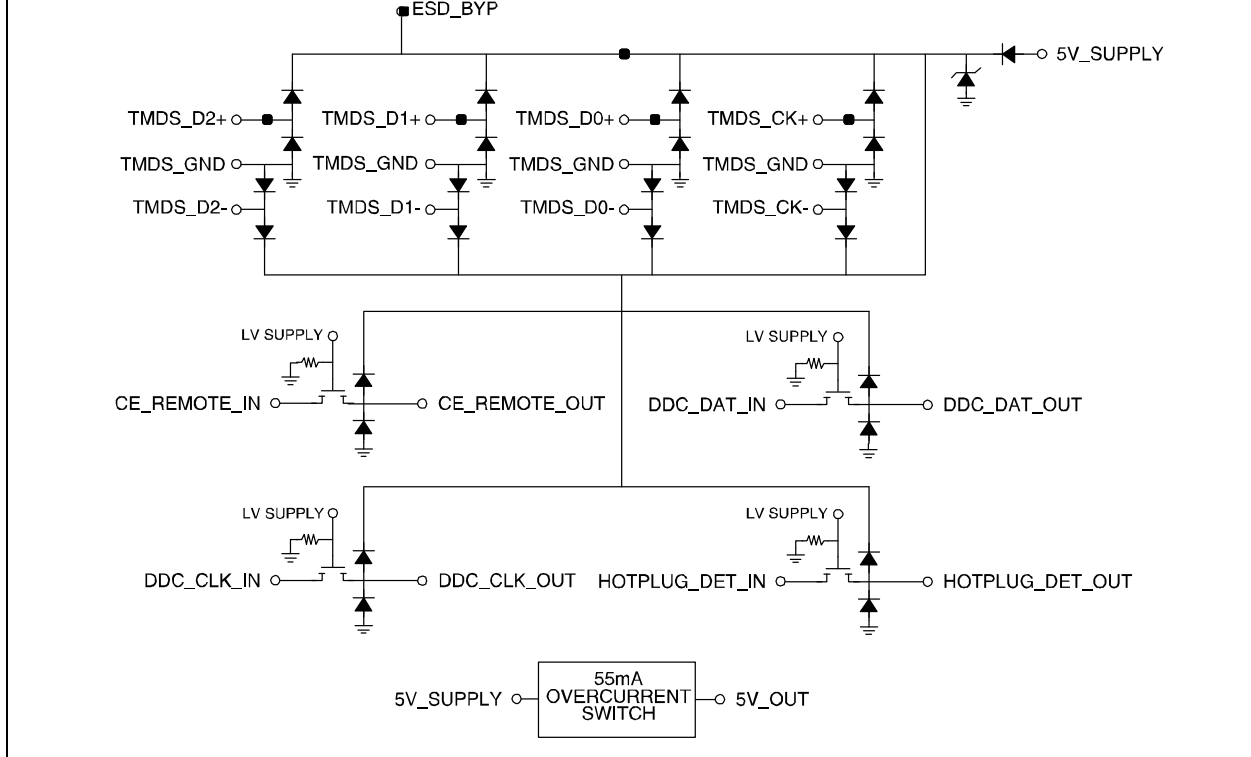
The CM2020-00TR HDMI Transmitter Port Protection and Interface device is specifically designed for next generation HDMI source interface protection.

An integrated package provides all ESD, level shift, overcurrent output protection and backdrive protection for an HDMI port in a single 38-Pin TSSOP package.

The CM2020-00TR part is specifically designed to complement the CM2021 protection part in HDMI receivers (Displays, DTV, CE devices, etc.)

The CM2020-00TR also incorporates a silicon overcurrent protection device for +5V supply voltage output to the connector.

Electrical Schematic



PACKAGE / PINOUT DIAGRAM

TOP VIEW

5V_SUPPLY	1	38	5V_OUT
LV_SUPPLY	2	37	ESD_BYP
GND	3	36	GND
TMDS_D2+	4	35	TMDS_D2+
TMDS_GND	5	34	TMDS_GND
TMDS_D2-	6	33	TMDS_D2-
TMDS_D1+	7	32	TMDS_D1+
TMDS_GND	8	31	TMDS_GND
TMDS_D1-	9	30	TMDS_D1-
TMDS_D0+	10	29	TMDS_D0+
TMDS_GND	11	28	TMDS_GND
TMDS_D0-	12	27	TMDS_D0-
TMDS_CK+	13	26	TMDS_CK+
TMDS_GND	14	25	TMDS_GND
TMDS_CK-	15	24	TMDS_CK-
CE_REMOTE_IN	16	23	CE_REMOTE_OUT
DDC_CLK_IN	17	22	DDC_CLK_OUT
DDC_DAT_IN	18	21	DDC_DAT_OUT
HOTPLUG_DET_IN	19	20	HOTPLUG_DET_OUT

Note: This drawing is not to scale.

38-PIN TSSOP PACKAGE

Pin Descriptions

PIN DESCRIPTIONS			
PINS	NAME	ESD Level	DESCRIPTION
4, 35	TMDS_D2+	8kV ³	TMDS 0.9pF ESD protection ¹ .
6, 33	TMDS_D2-	8kV ³	TMDS 0.9pF ESD protection ¹ .
7, 32	TMDS_D1+	8kV ³	TMDS 0.9pF ESD protection ¹ .
9, 30	TMDS_D1-	8kV ³	TMDS 0.9pF ESD protection ¹ .
10, 29	TMDS_D0+	8kV ³	TMDS 0.9pF ESD protection ¹ .
12, 27	TMDS_D0-	8kV ³	TMDS 0.9pF ESD protection ¹ .
13, 26	TMDS_CK+	8kV ³	TMDS 0.9pF ESD protection ¹ .
15, 24	TMDS_CK-	8kV ³	TMDS 0.9pF ESD protection ¹ .
16	CE_REMOTE_IN	2kV ⁴	LV_SUPPLY referenced logic level into ASIC.
23	CE_REMOTE_OUT	8kV ³	5V_SUPPLY referenced logic level out plus 3.5pF ESD to connector.
17	DDC_CLK_IN	2kV ⁴	LV_SUPPLY referenced logic level into ASIC.
22	DDC_CLK_OUT	8kV ³	5V_SUPPLY referenced logic level out plus 3.5pF ESD to connector.
18	DDC_DAT_IN	2kV ⁴	LV_SUPPLY referenced logic level into ASIC.
21	DDC_DAT_OUT	8kV ³	5V_SUPPLY referenced logic level out plus 3.5pF ESD to connector.
19	HOTPLUG_DET_IN	2kV ⁴	LV_SUPPLY referenced logic level into ASIC.
20	HOTPLUG_DET_OUT	8kV ³	5V_SUPPLY referenced logic level out plus 3.5pF ESD ² to connector
2	LV_SUPPLY	2kV ⁴	Bias for CE / DDC / HOTPLUG level shifters.
1	5V_SUPPLY	2kV ⁴	Current source for 5V_OUT.
38	5V_OUT	8kV ³	55mA minimum overcurrent protected 5V output. This output must be bypassed with a 0.1μF ceramic capacitor.
37	ESD_BYP	2kV ⁴	This pin must be connected to a 0.1μF ceramic capacitor.
3, 36	GND	N/A	Supply GND reference.
5, 34, 8, 31, 11, 28, 14, 25	TMDS_GND	N/A	TMDS ESD and Parasitic GND return. ⁵

Note 1: These 2 pins need to be connected together in-line on the PCB.

Note 2: This output can be connected to an external 0.1μF ceramic capacitor, resulting in an increased ESD withstand voltage rating.

Note 3: Standard IEC 61000-4-2, C_{DISCHARGE}=150pF, R_{DISCHARGE}=330Ω, 5V_SUPPLY and LV_SUPPLY within recommended operating conditions, GND=0V and ESD_BYP (pin 37), 5V_OUT (pin 38), and HOTPLUG_DET_OUT (pin 20) each bypassed with a 0.1μF ceramic capacitor connected to GND.

Note 4: Human Body Model per MIL-STD-883, Method 3015, C_{DISCHARGE}=100pF, R_{DISCHARGE}=1.5kΩ, 5V_SUPPLY and LV_SUPPLY within recommended operating conditions, GND=0V and ESD_BYP (pin 37), 5V_OUT (pin 38), and HOTPLUG_DET_OUT (pin 20) each bypassed with a 0.1μF ceramic capacitor connected to GND.

Note 5: These pins should be routed directly to the associated GND pins on the HDMI connector with single point ground vias at the connector

Ordering Information

PART NUMBERING INFORMATION			
Pins	Package	Ordering Part Number ¹	Part Marking
38	TSSOP-38	CM2020-00TR	CM2020-00TR

Note 1: Parts are shipped in Tape and Reel form unless otherwise specified.

Backdrive protection

Below, two scenarios are discussed to illustrate what can happen when a powered device is connected to an unpowered device via a HDMI interface, substantiating the need for backdrive protection on this type of interface. In the first example a DVD player is connected to a TV via an HDMI interface. If the DVD player is switched off and the TV is left on, there is a possibility of reverse current flow back into the main power supply rail of the DVD player. Typically, the DVD's power supply has some form of bulk supply capacitance associated with it. Because all CMOS logic exhibits a very high impedance on the power rail node when "off", if there may be very little parasitic shunt resistance, and even with as little as a few milliamps of "backdrive" current flowing into the power rail, it is possible over time to charge that bulk supply capacitance to some intermediate level. If this level rises above the power-on-reset (POR) voltage level of some of the integrated circuits in the DVD player, these devices may not reset properly when the DVD player is turned back on.

In a more serious scenario, if any SOC devices are incorporated in the design which have built-in level shifter and DRC diodes for ESD protection, there is even a risk for permanent damage. In this case, if there is a pullup resistor (such as with DDC) on the other end of the cable, then that resistance will pull the SOC chips "output" up to a high level. This will forward bias the upper ESD diode in the DRC and charge the bulk capacitance in a similar fashion as described in the first example. If this current flow is high enough, even as little as a few milliamps, it could destroy one of the SOC chip's internal DRC diodes, as they are not designed for passing DC.

To avoid either of these situations, the CM2020-00TR was designed to block backdrive current, guaranteeing no more than 5mA on any I/O pin when the I/O pin voltage is greater than the CM2020-00TR supply voltage.

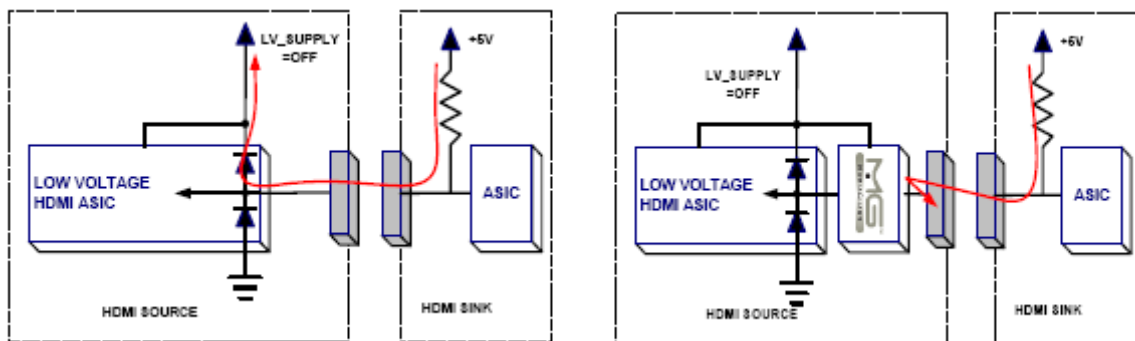


Figure 1. Backdrive Protection Diagram.

CM2020-00TR

Specifications

ABSOLUTE MAXIMUM RATINGS

PARAMETER	RATING	UNITS
V_{CCSV}, V_{CCLV}	6.0	V
DC Voltage at any Channel Input	6.0	V
Storage Temperature Range	-65 to +150	°C

STANDARD (RECOMMENDED) OPERATING CONDITIONS

SYMBOL	PARAMETER	MIN	TYP	MAX	UNITS
5V_SUPPLY	Operating Supply Voltage	GND	5	5.5	V
LV_SUPPLY	Bias Supply Voltage	1	3.3	5.5	V
	Operating Temperature Range	-40		85	°C

ELECTRICAL OPERATING CHARACTERISTICS (SEE NOTE 1)

SYMBOL	PARAMETER	CONDITIONS	MIN	TYP	MAX	UNITS
I_{CCSV}	Operating Supply Current	5V_SUPPLY = 5.0V		110	130	μA
I_{CCLV}	Bias Supply Current	LV_SUPPLY = 3.3V		1	5	μA
V_{DROP}	5V_OUT Overcurrent Output Drop	5V_SUPPLY = 5.0V, $I_{OUT} = 55mA$		65	100	mV
I_{SC}	5V_OUT Short Circuit Current Limit	5V_SUPPLY = 5.0V, 5V_OUT = GND	90	135	175	mA
I_{OFF}	OFF state leakage current, level shifting NFET	LV_SUPPLY 0V		0.1	5	μA
$I_{BACKDRIVE}$	Current conducted from output pins to V_SUPPLY rails when powered down	5V_SUPPLY $V_{CH,OUT}$; Signal pins: TMD5_D[2:0]+/-, TMD5_CK+/-, CE_REMOTE_OUT, DDC_DAT_OUT, DDC_CLK_OUT, HOTPLUG_DET_OUT, 5V_OUT Only		0.1	5	μA
$I_{BACKDRIVE, CEC}$	Current through CE-REMOTE_OUT when powered down	CE-REMOTE_IN = LV_SUPPLY < CE_REMOTE_OUT		0.1	1	μA

SYMBOL	PARAMETER	CONDITIONS	MIN	TYP	MAX	UNITS
V_{ON}	VOLTAGE drop across level shifting NFET when ON	LV_SUPPLY = 2.5V, $V_S = GND$, $I_{DS} = 3mA$	75	95	140	mV
V_F	Diode Forward Voltage Top Diode Bottom Diode	$I_F = 8mA$, $T_A = 25^\circ C$	0.6 0.6	0.85 0.85	0.95 0.95	V V
V_{ESD}	ESD Withstand Voltage, contact discharge per IEC 61000-4-2 standard (IEC)	Pins 4, 7, 10, 13, 20, 21, 22, 23, 24, 27, 30, 33, 38; $T_A = 25^\circ C$ Note 2	± 8			kV
V_{CL}	Channel Clamp Voltage Positive Transients Negative Transients	$T_A = 25^\circ C$, $I_{PP} = 1A$, $t_p = 8/20\mu S$; Note 3		10.8 -2.1		V V
R_{DYN}	Dynamic Resistance Positive Transients Negative Transients	$I_{PP} = 1A$, $t_p = 8/20\mu S$; $T_A = 25^\circ C$; Note 3		1.4 0.9		Ω Ω
I_{LEAK}	TMDS Channel Leakage Current	$T_A = 25^\circ C$		0.01	1	μA
$C_{IN, TMDS}$	TMDS Channel Input Capacitance	5V_SUPPLY= 5.0V, Measured at 1MHz, $V_{BIAS}=2.5V$		0.9	1.2	pF
$\Delta C_{IN, TMDS}$	TMDS Channel Input Capacitance Matching	5V_SUPPLY= 5.0V, Measured at 1MHz, $V_{BIAS}=2.5V$; Note 4		0.05		pF
$C_{IN, DDC}$	Level Shifting Input Capacitance, Capacitance to GND	5V_SUPPLY= 5.0V, Measured at 100KHz, $V_{BIAS}=2.5V$; Note 2		3.5	4	pF
$C_{IN, CEC}$	Level Shifting Input Capacitance, Capacitance to GND	5V_SUPPLY= 5.0V, Measured at 100KHz, $V_{BIAS}=2.5V$		3.5	4	pF
$C_{IN, HP}$	Level Shifting Input Capacitance, Capacitance to GND	5V_SUPPLY= 5.0V, Measured at 100KHz, $V_{BIAS}=2.5V$		3.5	4	pF

Note 1: Operating Characteristics are over Standard Operating Conditions unless otherwise specified.

Note2: Standard IEC 61000-4-2, $C_{DISCHARGE}=150pF$, $R_{DISCHARGE}=330\Omega$, 5V_SUPPLY and LV_SUPPLY within recommended operating conditions, GND=0V and ESD_BYP (pin 37), 5V_OUT (pin 38), and HOTPLUG_DET_OUT (pin 20) each bypassed with a 0.1 μF ceramic capacitor connected to GND.

Note 3: These measurements performed with no external capacitor on ESD_BYP.

Note 4: Intra-pair matching, each TMDS pair (i.e. D+, D-)

Performance Information

Typical Filter Performance ($T_A=25^\circ\text{C}$, DC Bias=0V, 50 Ohm Environment)

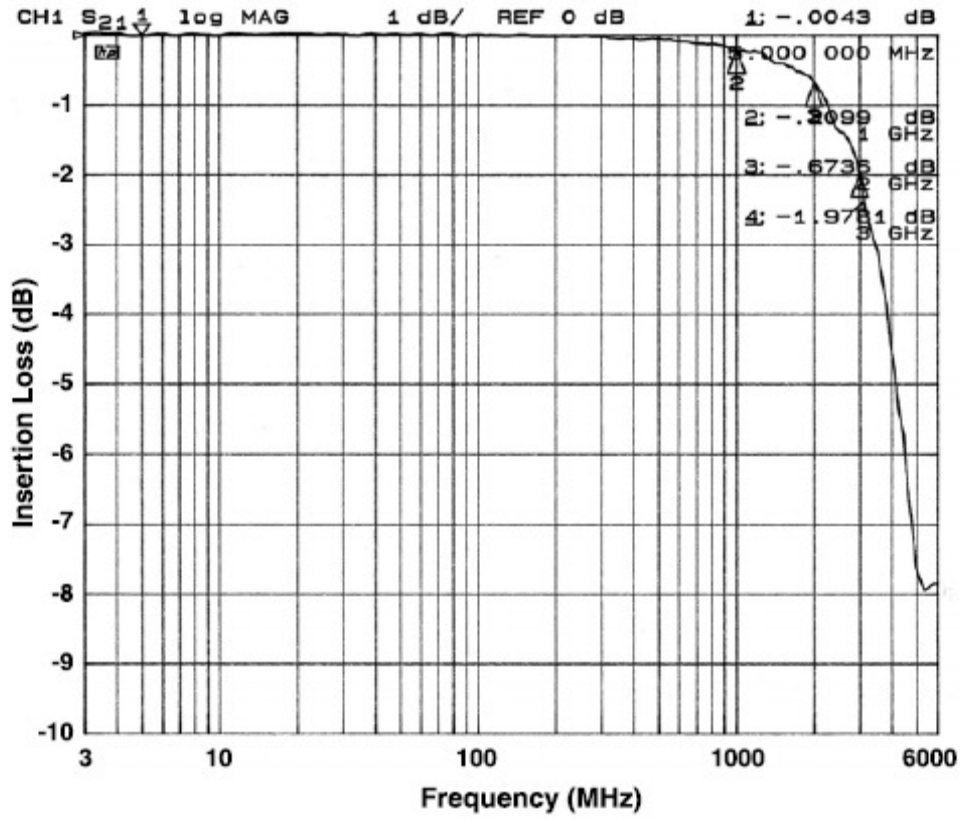
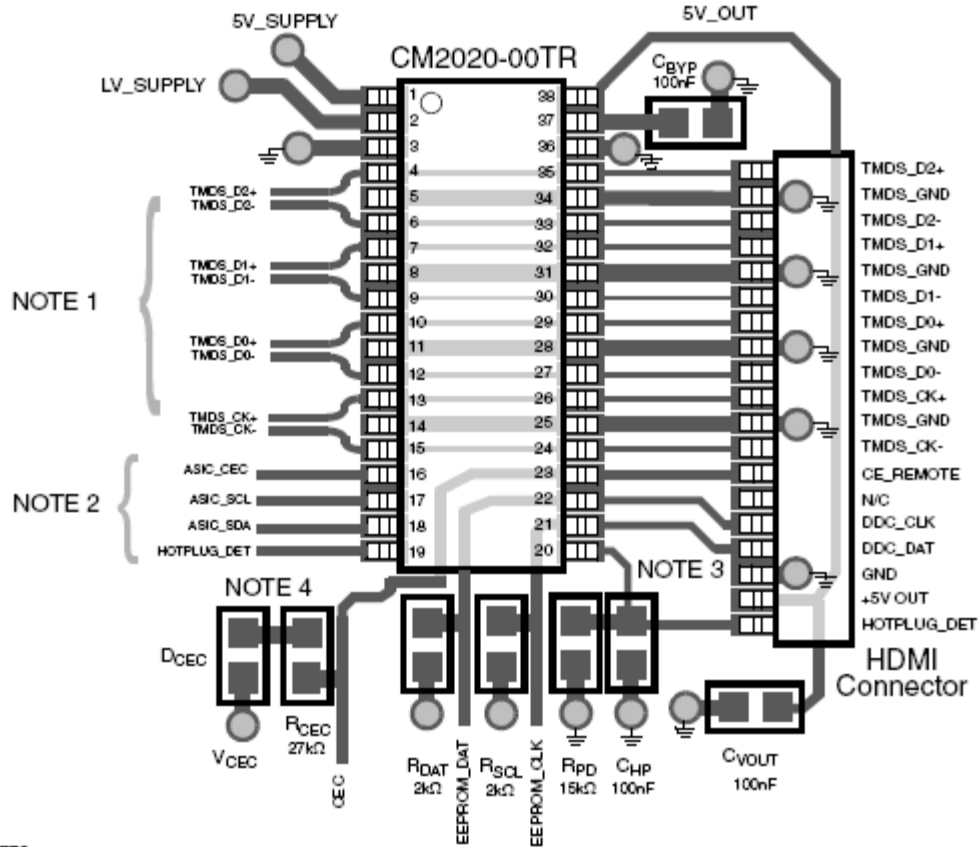


Figure 2. Insertion Loss vs. Frequency (TMDS_D1- to GND)

Application Information



LAYOUT NOTES

NOTE 1) Differential TMDS Pairs should be designed as normal 100Ω HDMI microstrip. Single Ended TMDS traces underneath CM2020 and between CM2020 and Connector should be tuned to match chip/connector parasitics. (See MediaGuard™ Application Notes.)

NOTE 2) Level Shifter signals should be biased with a weak pullup to the desired local LV_SUPPLY. If the local ASIC includes sufficient pullups to register a logic high when the CM2020 NFET is "off", then external pullups are not needed.

NOTE 3) Place CM2020 as close to connector as possible, and as with any controlled impedance line avoid ANY silkscreening over TMDS lines.

NOTE 4) CEC pullup isolation. The 27k R_{CEC} and a Schottky D_{CEC} provide the necessary isolation for the CEC pullup.

Figure 3. Typical Application for CM2020-00TR

Application Information (cont'd)

Design Considerations

ESD Bypass

Pin 37 (ESD_BYP) is provided for an optional external ESD bypass capacitor only (i.e. 0.1mF ceramic.) It should not be connected to any supply rail.

5V Overcurrent Output

Maximum Overcurrent Protection output drop at 55mA on 5V_OUT is 100mV. To meet HDMI output requirements of 4.8-5.3V, an input of greater than 4.9V should be used (i.e. 5.1V +/- 4%). A 0.1μF ceramic bypass capacitor on this output is also recommended.

Hotplug Detect Input

To meet the requirements of HDMI CTS TID7-12, the following pullup/pulldown configuration is recommended for a 3.3V+/-10% internal VCC rail (See Figure 4 below). A 0.1μF ceramic capacitor is recommended for additional edge debounce and ESD bypass.

DUT On vs. DUT Off

Many HDMI CTS tests require a power off condition on the System Under Test. Many Dual Rail Clamp (DRC) ESD diode configurations will be forward biased when their VDD rail is lower than the I/O pin bias, thereby exhibiting extremely high apparent capacitance measurements, for example. The MediaGuard™ backdrive isolation circuitry limits this current to <5μA, and will help ensure compliance.

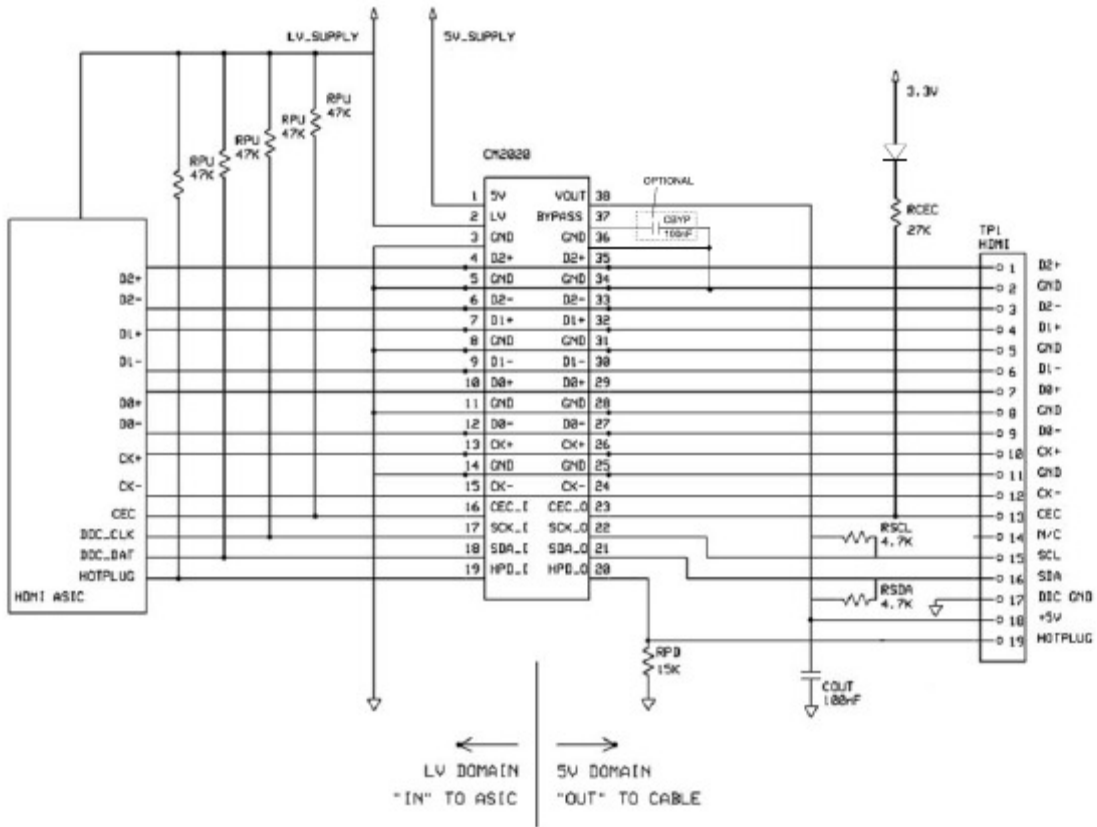


Figure 4. Design Example

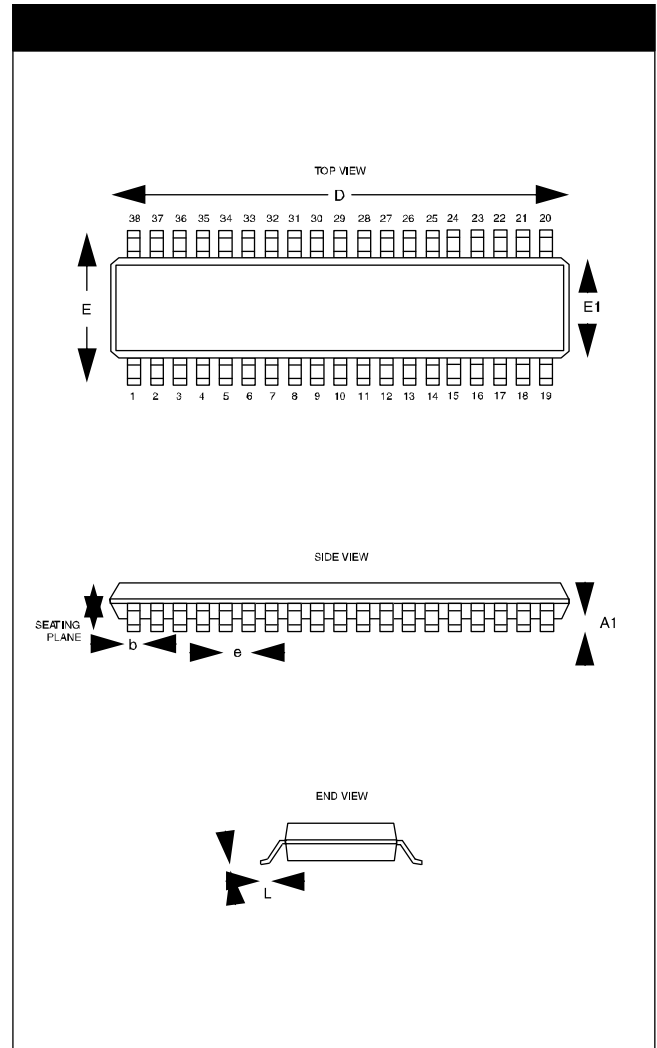
CM2020-00TR

Mechanical Details

TSSOP-38 Mechanical Specifications

CM2020-00TR devices are supplied in 38-pin TSSOP packages. Dimensions are presented below.

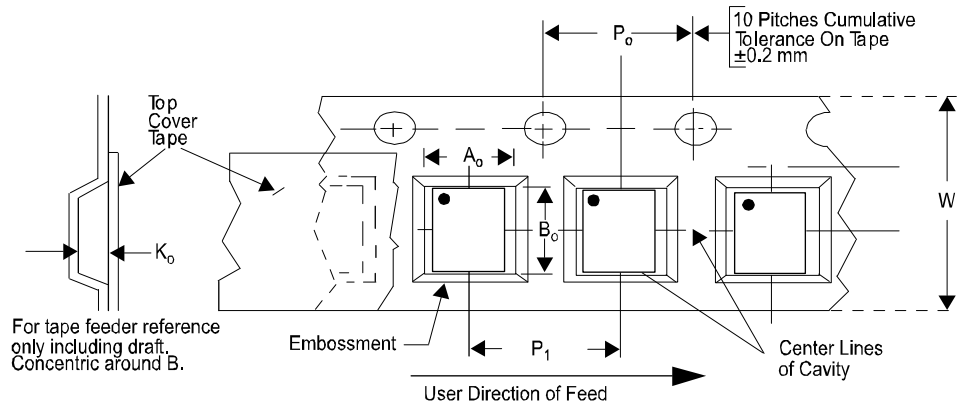
PACKAGE DIMENSIONS				
Package	TSSOP			
JEDEC No.	MO-153 (Variation BD-1)			
Pins	38			
Dimensions	Millimeters		Inches	
	Min	Max	Min	Max
A	—	1.20	—	0.047
A1	0.05	0.15	0.002	0.006
b	0.17	0.27	0.007	0.011
c	0.09	0.20	0.004	0.008
D	9.60	9.80	0.378	0.386
E	6.40 BSC		0.252 BSC	
E1	4.30	4.50	0.169	0.177
e	0.50 BSC		0.020 BSC	
L	0.45	0.75	0.018	0.030
# per tape and reel	2500 pieces			
Controlling dimension: millimeters				




Package Dimensions for TSSOP-38

Tape and Reel Specifications

PART NUMBER	PACKAGE SIZE (mm)	POCKET SIZE (mm) $B_0 \times A_0 \times K_0$	TAPE WIDTH W	REEL DIAMETER	QTY PER REEL	P_0	P_1
CM2020-00TR	9.70 X 6.40 X 1.20	10.20 X 6.90 X 1.80	16mm	330mm (13")	2500	4mm	12mm



ON Semiconductor and  are registered trademarks of Semiconductor Components Industries, LLC (SCILLC). SCILLC reserves the right to make changes without further notice to any products herein. SCILLC makes no warranty, representation or guarantee regarding the suitability of its products for any particular purpose, nor does SCILLC assume any liability arising out of the application or use of any product or circuit, and specifically disclaims any and all liability, including without limitation special, consequential or incidental damages. "Typical" parameters which may be provided in SCILLC data sheets and/or specifications can and do vary in different applications and actual performance may vary over time. All operating parameters, including "Typicals" must be validated for each customer application by customer's technical experts. SCILLC does not convey any license under its patent rights nor the rights of others. SCILLC products are not designed, intended, or authorized for use as components in systems intended for surgical implant into the body, or other applications intended to support or sustain life, or for any other application in which the failure of the SCILLC product could create a situation where personal injury or death may occur. Should Buyer purchase or use SCILLC products for any such unintended or unauthorized application, Buyer shall indemnify and hold SCILLC and its officers, employees, subsidiaries, affiliates, and distributors harmless against all claims, costs, damages, and expenses, and reasonable attorney fees arising out of, directly or indirectly, any claim of personal injury or death associated with such unintended or unauthorized use, even if such claim alleges that SCILLC was negligent regarding the design or manufacture of the part. SCILLC is an Equal Opportunity/Affirmative Action Employer. This literature is subject to all applicable copyright laws and is not for resale in any manner.

PUBLICATION ORDERING INFORMATION

LITERATURE FULFILLMENT:

Literature Distribution Center for ON Semiconductor
P.O. Box 5163, Denver, Colorado 80217 USA
Phone: 303-675-2175 or 800-344-3860 Toll Free USA/Canada
Fax: 303-675-2176 or 800-344-3867 Toll Free USA/Canada
Email: orderlit@onsemi.com

N. American Technical Support: 800-282-9855
Toll Free USA/Canada
Europe, Middle East and Africa Technical Support:
Phone: 421 33 790 2910
Japan Customer Focus Center
Phone: 81-3-5773-3850

ON Semiconductor website: www.onsemi.com

Order Literature: <http://www.onsemi.com/orderlit>

For additional information, please contact your local Sales Representative